



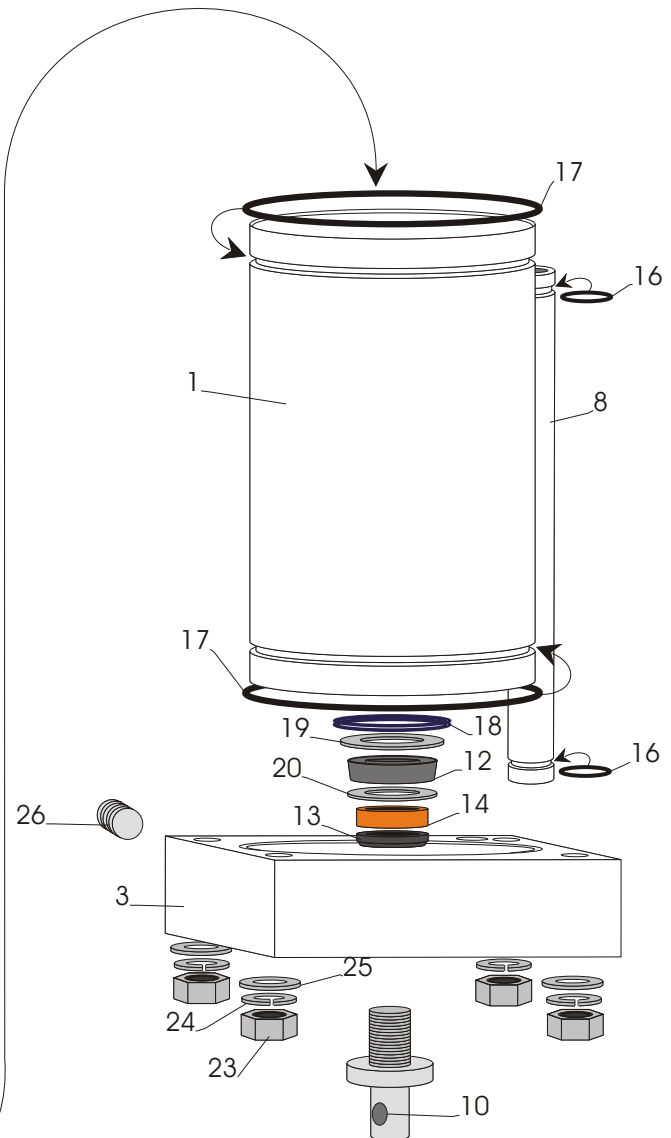
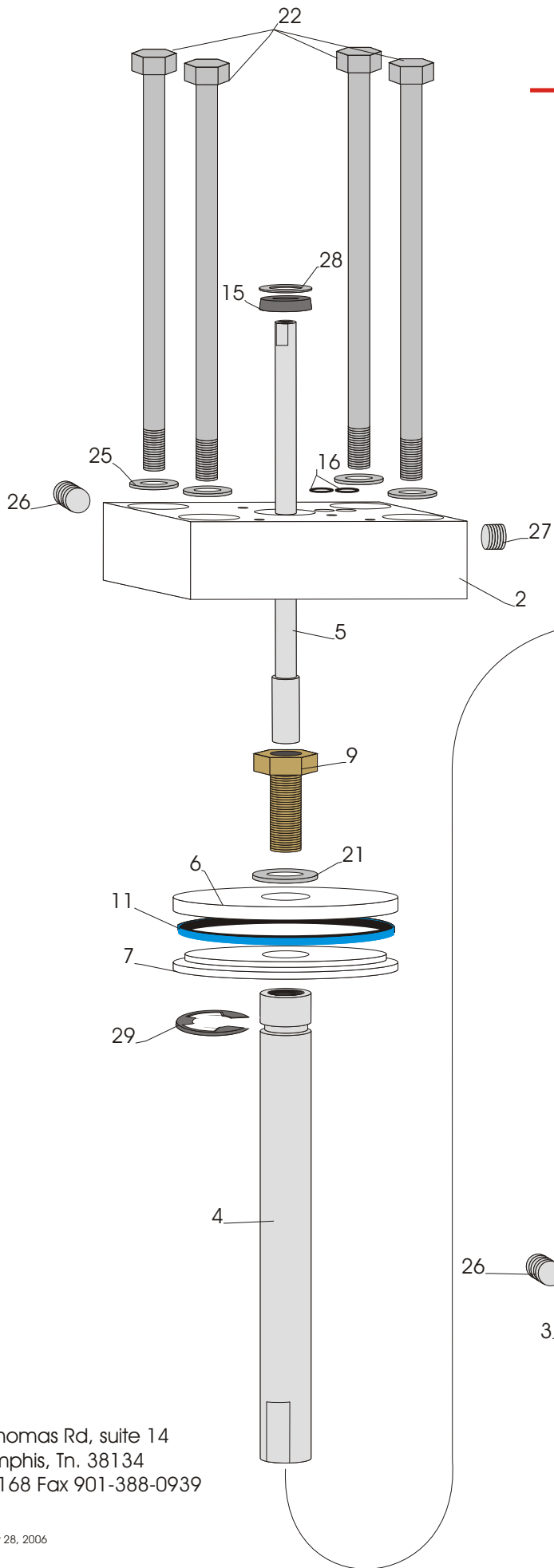
PAM-II-XXXX AIR MOTOR ASSEMBLY

6000 = 6.0"

4000 = 4.0"

3250 = 3.25"

2500 = 2.5"



2099 Thomas Rd, suite 14
 Memphis, Tn. 38134
 901-388-0168 Fax 901-388-0939

ID#	QUANTITY	PART#	DESCRIPTION
1	1	PAM-II-2502	2.5" Air Motor Cylinder
		PAM-II-3202	3.25" Air Motor Cylinder
		PAM-II-4002	4.0" Air Motor Cylinder
		PAM-II-6002	6.0" Air Motor Cylinder
2	1	PAM-II-2538	2.5" Air Motor Top End Plate
		PAM-II-3238	3.25" Air Motor Top End Plate
		PAM-II-4038	4.0" Air Motor Top End Plate
		PAM-II-6038	6.0" Air Motor Top End Plate
3	1	PAM-II-2539	2.5" Air Motor Bottom End Plate
		PAM-II-3239	3.25" Air Motor Bottom End Plate
		PAM-II-4039	4.0" Air Motor Bottom End Plate
		PAM-II-6039	6.0" Air Motor Bottom End Plate
4	1	PAM-1075	Air Motor Piston Shaft
5	1	PAM-1085	Air Motor Shift Rod
6	1	PAM-2508-1	2.5" Air Motor Piston Seal Plate #1
		PAM-3208-1	3.25" Air Motor Piston Seal Plate #1
		PAM-4008-1	4.0" Air Motor Piston Seal Plate #1
		PAM-6008-1	6.0" Air Motor Piston Seal Plate #1
7	1	PAM-2508-2	2.5" Air Motor Piston Seal Plate #2
		PAM-3208-2	3.25" Air Motor Piston Seal Plate #2
		PAM-4008-2	4.0" Air Motor Piston Seal Plate #2
		PAM-6008-2	6.0" Air Motor Piston Seal Plate #2
8	1	PAM-1065	Air Transfer Tube
9	1	PAM-1032	Retaining Bolt
10	1	PAM-1031	Pump Adapter
11	1	PAM-2510	2.5" Air Motor Piston Seal
		PAM-3210	3.25" Air Motor Piston Seal
		PAM-4010	4.0" Air Motor Piston Seal
		PAM-6010	6.0" Air Motor Piston Seal
12	1	PAM-1050	Air Motor Shaft Seal
13	1	PAM-1051	Air Motor Shaft Wiper
14	1	PAM-1052	Air Motor Shaft Guide
15	1	PAM-1053	Air Motor Shift Rod Seal
16	4	O-B-012	O-Ring
17	2	O-B-038	2.5" Air Motor Cylinder Seal
		O-B-042	3.25" Air Motor Cylinder Seal
		O-B-046	4.0" Air Motor Cylinder Seal
		O-B-049	5.0" Air Motor Cylinder Seal
18	2	C-S-1.375	Spiral Retaining Clip
19	2	W-F-7/8X.05	Shim
20	2	W-F-3/4X.05	Shim
21	1	W-F-9/16X.05	Shim
22	4	B-3816X7.5 (5.5)	Bolt
23	4	N-S-3816-H	Hex Nut
24	4	W-S-3/8	Spring Washer
25	8	W-F-125-M	Flat Washer
26	2	SS-S-4-NPT	Pipe Plug
27	1	SS-SS-3/8-24	Set Screw
28	1	W-F-3/8	Flat Washer
29	1	R-C-E-3/4	E-Clip

PAM-II-2590 2.5" Air Motor Rebuild Kit
 PAM-II-3290 3.25" Air Motor Rebuild Kit
 PAM-II-4090 4.0" Air Motor Rebuild Kit
 PAM-II-6090 6.0" Air Motor Rebuild Kit