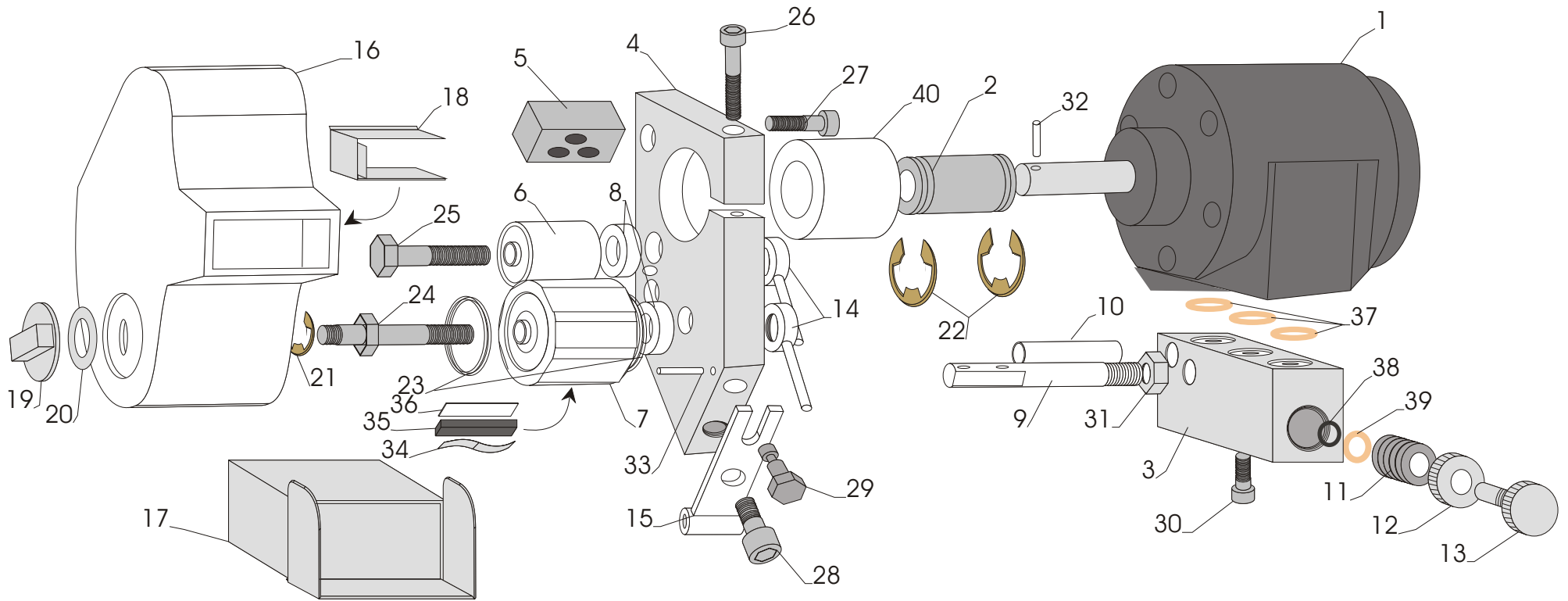




PRC-5100 CUTTER ASSEMBLY PARTS DIAGRAM



January 18, 2002

2099 Thomas Rd., Suite 14
Memphis, Tn. 38134
901-388-0168 Fax: 388-0939

ID#	QUANTITY	PART#	DESCRIPTION
1	1	PRC-600	Cutter Air Motor
2	1	PRC-601	Motor Shaft
3	1	PRC-603	Air Manifold
4	1	PRC-602	Back Plate
5	1	PRC-606	Glass Guide
6	2	PRC-541	Idler Bearing
7	1	PRC-540	Cutting Head
8	2	PRC-607	Spacer
9	1	PRC-605	Blower Tube
10	1	PRC-604	Exhaust Tube
11	2	PRC-544	Packing Nut
12	2	PRC-545	Lock Nut
13	2	PRC-546	Thumb Screw
14	2	PRC-609	Eccentric Nut
15	1	PRC-590	Mounting Bracket
16	1	PRC-615	Cutter Guard
17	1	PRC-616	Nozzle Extension
18	1	PRC-613	Guard Inset
19	1	PRC-617	Thumbnut
20	1	PRC-618	Nylon Washer
21	1	PRC-650	E Clip
22	2	PRC-550	E Clip
23	2	PRC-549	Retaining Ring
24	1	PRC-539	Cutting Axle
25	1	B-1420X1.5-HB	Hex Bolt
26	1	B-1420X1-HB	Hex Bolt
27	1	B-1420X.5-HB	Hex Bolt
28	1	B-3816X.5-SC	Socket Cap Screw
29	1	PRC-608	Cutter Adjusting Cam
30	1	PRC-551	Socket Cap Screw
31	1	N-51618-H	Hex Nut
32	1	P-D-093x.5	Dowel Pin
33	1	P-D-125x.5	Dowel Pin
34	4	PRC-547	Retaining Spring
35	4	PRC-548	Retaining Bar
36	4	PRC-542	Cutting Blade
37	3	O-I-013	O-Ring
38	1	O-E-008	O-Ring
39	1	O-I-010	O-Ring
40	1	PRC-537	Anvil Sleeve