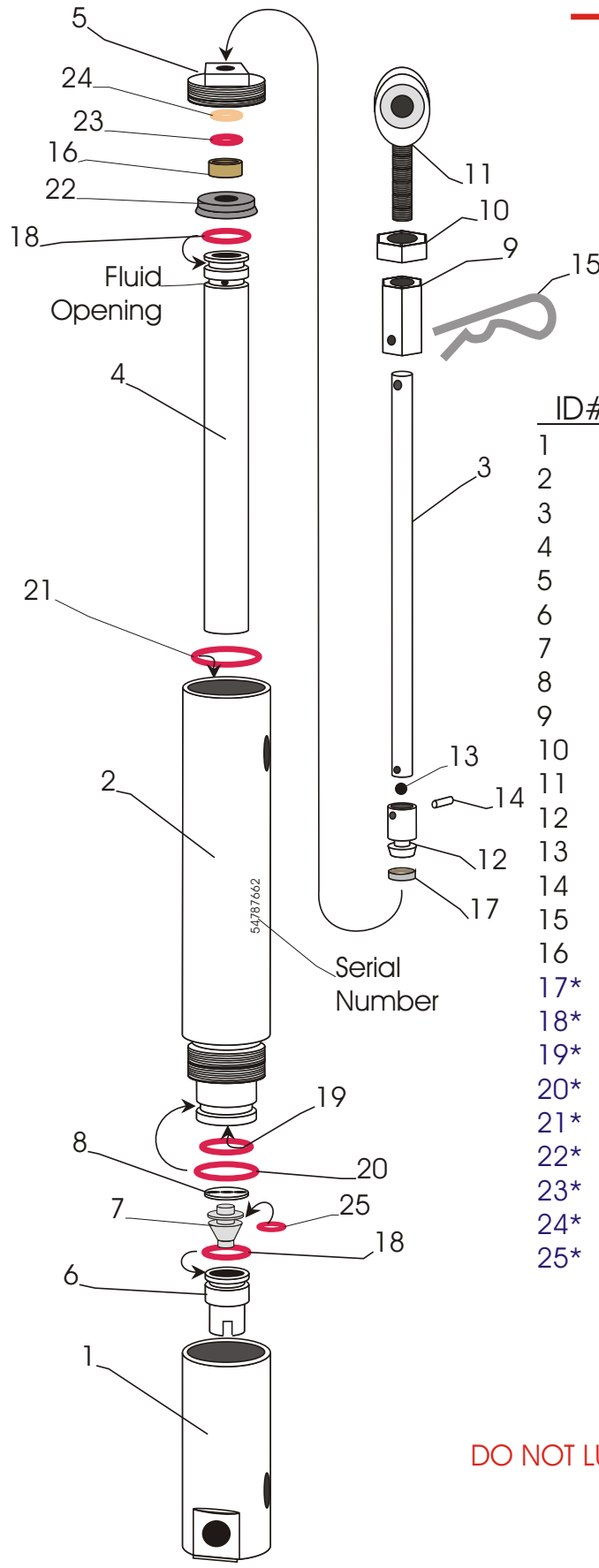




PHOENIX PCP-3000 CATALYST SLAVE PUMP



ID#	QUANTITY	PART #	DESCRIPTION
1	1	PCP-3005	Lower Housing
2	1	PCP-3007	Upper Housing
3	1	PCP-3001	Pump Shaft
4	1	PCP-3004	Cylinder Liner
5	1	PCP-3008	Packing Nut
6	1	PCP-3006	Lower Ball Seat
7	1	PCP-3018	Lower Ball
8	1	PCP-3015	Lower Ball Retainer
9	1	PCP-3021	Shaft Connector
10	1	N-SS-1/4-28	1/4" Nut
11	1	B-ROD-4-1/4-28	1/4" Rod End Bolt
12	1	PCP-3009	Upper Ball Housing
13	1	PCP-3017	Upper Ball
14	1	PIN-D-1/16x5	Retaining Pin
15	1	PIN-H-3/32	Hitch Pin
16	1	PCP-3019	Pump Shaft Scraper
17*	1	PCP-3014	Piston Seal
18*	2	O-S-012	O Ring
19*	1	O-S-014	O Ring
20*	1	O-S-015	O Ring
21*	1	O-S-017	O Ring
22*	1	PCP-3020	Upper Seal
23*	1	O-S-009	O Ring
24*	1	O-T-009	O Ring
25*	1	O-S-006	O Ring

DO NOT LUBRICATE PUMP SHAFT WITH PETROLEUM-BASED FLUIDS