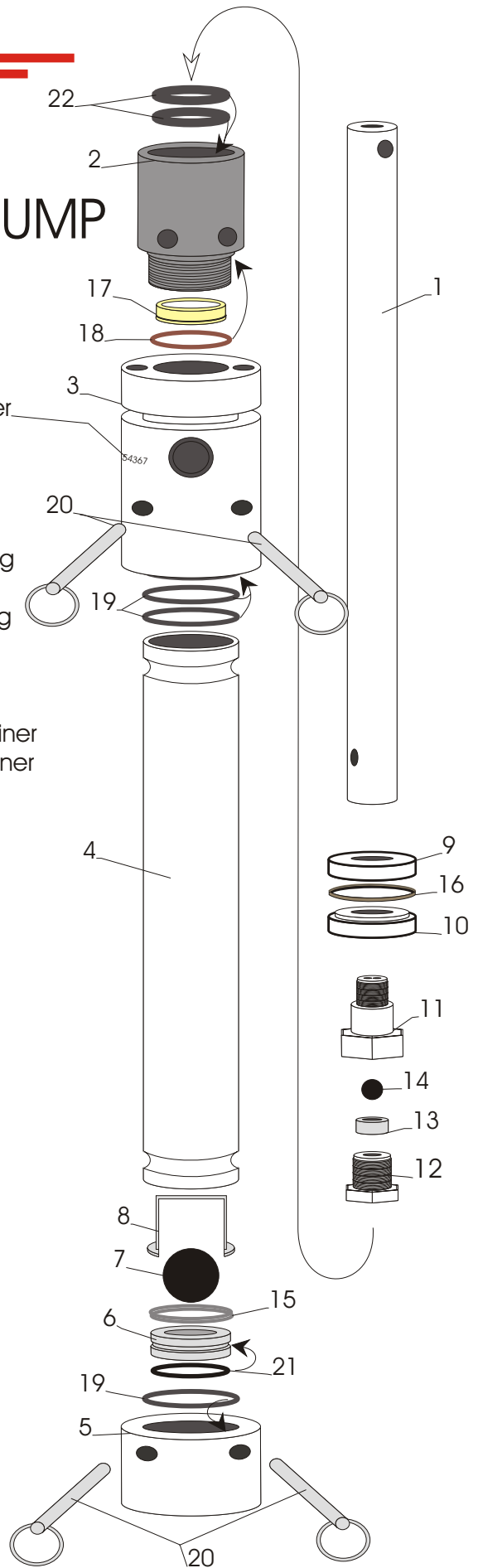




PHOENIX PRP-3000-III RESIN PUMP

ID#	QUANTITY	PART #	DESCRIPTION
1	1	PRP-3001	Pump Shaft
2	1	PRP-3015	Upper Seal Housing
3	1	PRP-3030	Upper Receiver Housing
4	1	PRP-3002-2	Pump Cylinder
5	1	PRP-3031	Lower Receiver Housing
6	1	PRP-3102	Lower Ball Seat
7	1	PRP-3103	Lower Ball
8	1	PRP-2007	Lower Ball Retainer
9	1	PRP-3040	Piston Seal Upper Retainer
10	1	PRP-3041	Piston Seal Lower Retainer
11	1	PRP-3024	Upper Ball Housing
12	1	PRP-3021	Upper Ball Retainer
13	1	PRP-3022	Upper Ball Seat
14	1	PRP-3025	Upper Ball
15	1	C-S-1.5	Retaining Ring
16*	1	PRP-3082	Piston Seal
17*	1	PRP-3081	Upper Seal
18*	1	O-E-028	O-Ring
19*	3	O-E-138	O-Ring
20	4	PRP-3009	Assembly Pins
21*	1	O-E-125	O-Ring
22*	2	O-E-215	O-Ring

*PRP-3191 Resin Pump Rebuild Kit



2099 Thomas Rd, Suite 14
 Memphis, Tn. 38134
 901-388-0168 FAX 388-0939

January 1, 2003